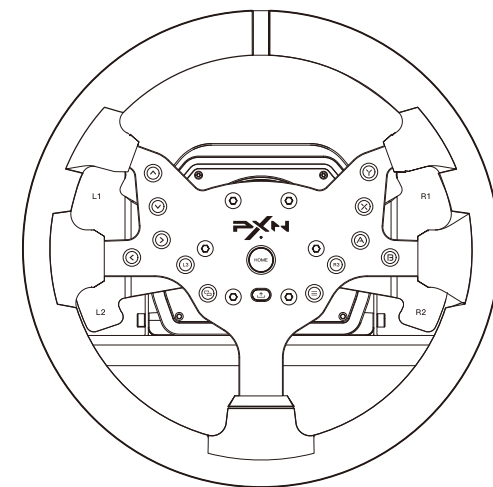




V99



FORCE FEEDBACK RACING WHEEL

User Manual

Please read the manual carefully before using the product, and keep this manual for future reference.

⚠ WARNING — Safety

- * When connecting, installing, and removing this product, apply appropriate force. Do not twist or pull the interfaces and cables.
- * Avoid splashing any liquids onto the product or its interfaces.
- * Keep this product in a dry place. Do not expose it to fire, or environments with high humidity, temperature, or smoke.
- * Do not disassemble, modify, or attempt repairs on your own. Any maintenance must be performed by the manufacturer, their authorized representative, or qualified technicians.
- * Only use accessories/components specified by the manufacturer.
- * If this product exhibits any unusual noises, heat, or odors, please cease use immediately.

⚠ WARNING — Potential Harm from Force Feedback and Repetitive Actions

To avoid potential harm from force feedback and repetitive actions, please consider the following usage recommendations:

- * Avoid excessively long gaming sessions.
- * Take a 10 to 15 minute break after every hour of product use.
- * If you experience any fatigue or pain in your hands, wrists, arms, legs, or feet, stop gaming and rest for several hours before resuming play.
- * If symptoms or pain persist after resuming play, stop gaming and consult a doctor.
- * Keep out of reach of children.
- * During gameplay, always maintain both hands on the steering wheel in the correct positions, rather than placing them randomly.
- * Do not insert hands or arms through the openings of the steering wheel during calibration and gameplay.

This product is intended for use by individuals aged 16 and older.

Self-Check and Calibration of the Steering Wheel

When this product is connected to the base and powered on, the steering wheel will undergo a self-check and calibration process. During the self-check and calibration process, the steering wheel will rapidly rotate 450 degrees to the left and right, and then automatically return to the center position and stop.

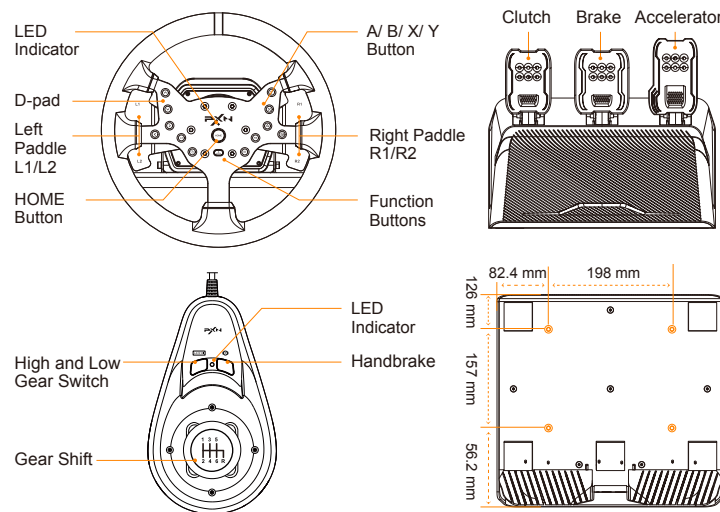
⚠ WARNING:

To avoid incorrect calibration or personal injury, do not touch the steering wheel during the self-check and calibration process.

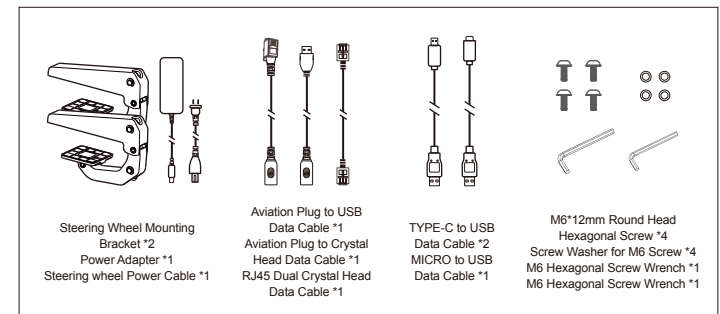
If the product experiences any abnormal operation or calibration issues: Turn off the console/PC and completely disconnect the power supply from the base. Then, re-connect the all cables (including the power supply, pedal and shifter). Restart the console or PC, and re-enter the game.

ENGLISH

01 Product Appearance



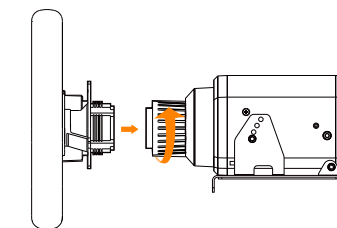
02 Accessory List



03 Installation of Steering Wheel

• Assembling the Steering Wheel with the Base

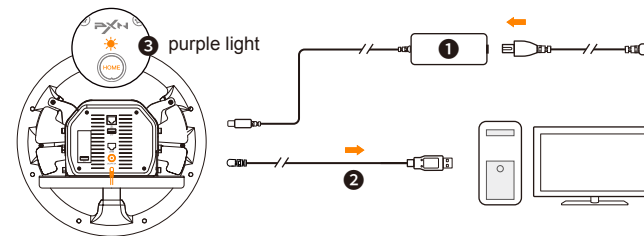
Align the steering wheel with the corresponding position on the base. Grip the hub of the wheel and tighten the locking ring.



04 Using on PC Platform

- Step 1 Attach the steering wheel to the base.
- Step 2 Connect the gear shifter, pedal and other components to the corresponding interfaces on the back of the base.
- Step 3 Plug the power adapter into a socket and connect it to the interface on the back of the base.
- Step 4 Connect the base's USB main cable to the PC.
- Step 5 After connecting, the base will undergo a self-test. Please avoid touching the machine at this time.
- Step 6 After successful connection, it defaults to DINPUT mode, indicated by red light always on.
- Step 7 In DINPUT mode, press and hold the "HOME" button on the wheel for 3 seconds to switch to XINPUT mode. After successful switching, purple light will remain on.

Note: In XINPUT mode, the wheel will only have centering force (no force feedback).

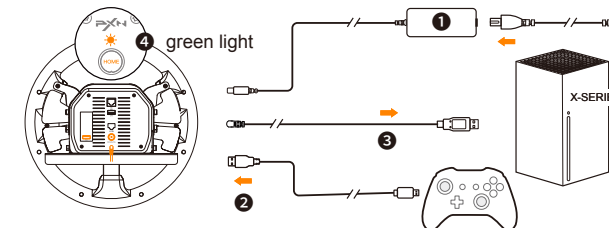


PC Platform Testing:

Open the computer game controller for functional self-testing. For XP system: Open Control Panel → Game Controllers, then click on Properties and Test. For Windows 7 and above: Open Control Panel → Devices and Printers → Right-click on the game controller icon, select Game Controller Settings, and click on Properties and Test.

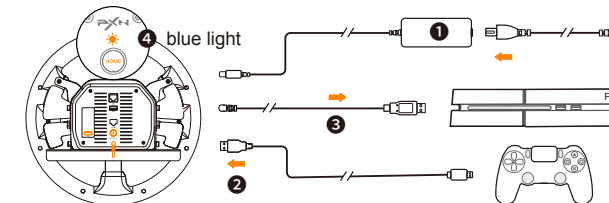
05 Using on XBOX ONE/ XBOX SERIES Platform

- Step 1 Attach the steering wheel to the base.
- Step 2 Connect the gear shifter, pedal and other components to the corresponding interfaces on the back of the base.
- Step 3 Plug the power adapter into a socket and connect it to the interface on the back of the base.
- Step 4 Use a USB cable to connect the original XBOX ONE/XBOX SERIES controller to the USB guide port on the steering wheel (ensure the controller is powered off during connection).
- Step 5 Insert the main USB cable of the base into the USB port of the XBOX ONE/ XBOX SERIES console, and power on the XBOX ONE/XBOX SERIES console.
- Step 6 After the connection, the base will undergo a self-check. Please avoid touching the machine at this time.
- Step 7 Upon successful connection, the green light will stay on, and the indicator light on the XBOX ONE/XBOX SERIES controller will also remain on.



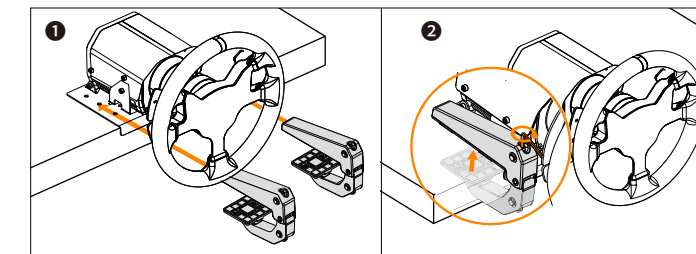
06 Using on PS4 Platform

- Step 1 Attach the steering wheel to the base.
- Step 2 Connect the gear shifter, pedal and other components to the corresponding interfaces on the back of the base.
- Step 3 Plug the power adapter into a socket and connect it to the interface on the back of the base.
- Step 4 Use a USB cable to connect the original PS4 controller to the USB guide port on the steering wheel (ensure the controller is powered off during connection).
- Step 5 Insert the main USB cable of the base into the USB port of the PS4 console, and power on the PS4 console.
- Step 6 After the connection, the base will undergo a self-check. Please avoid touching the machine at this time.
- Step 7 Upon successful connection, the blue light will stay on, and the indicator light on the PS4 controller will also remain on.



07 Desktop Fixture Instructions

- Step 1 Place the base in an appropriate position on the desktop.
- Step 2 Take out the mounting bracket and use the hex wrench to loosen the screw counterclockwise.
- Step 3 After loosening, place the mounting bracket on the iron plates on both sides of the base.
- Step 4 Use the hex wrench to tighten the screw clockwise.



08 Advanced Configuration Settings

Download for iOS: search [PXN Wheel] on APP Store. Download for Android: search [PXN Wheel] on Google Play. Download the [PXN Wheel] app on your mobile phone to access advanced configuration settings for the base.

Settings available in the App:

- Switch steering wheel mode.
- Set effective steering angle for 900-degree gear.
- Adjust steering wheel force feedback.
- Customize button mapping and save preferences for future use.
- Pre-set button configurations for various games, ready to use.
- Testing interface within the App.
- Customizable multi-point pedal curves.

09 Attention

- Please read the manual carefully before using.
- Avoid strong vibration and gravity drop.
- Do not disassemble, modify or repair by yourself.
- Prevent water or other liquids from getting into the product to avoid damage.
- Avoid storing products in some places with humid, high temperature, oily smoke, etc.
- Please use proper power while connecting and removing devices to avoid damage.
- Children can only use this product under the supervision of an adult.

10 Product Specifications

Model	V99
Motor Operating Voltage	DC24V
USB Operating Voltage	5V
Motor Operating Current	2A
USB Operating Current	≤500mA during guidance
Packaging Dimensions	About 375 * 400 * 375 mm
Product Dimensions	About 300 * 300 * 107 mm (Steering wheel) About 230 * 223 * 140 mm (Base) About 362 * 339 * 220 mm (Pedal) About 192 * 105 * 201 mm (Gear Shifter)
Product Weight	About 1338 g (Steering wheel) About 2324 g (Base) About 2086 g (Pedal) About 577 g (Gear Shifter)
Operating Temperature	10-40 °C
Operating Humidity	20~80 %